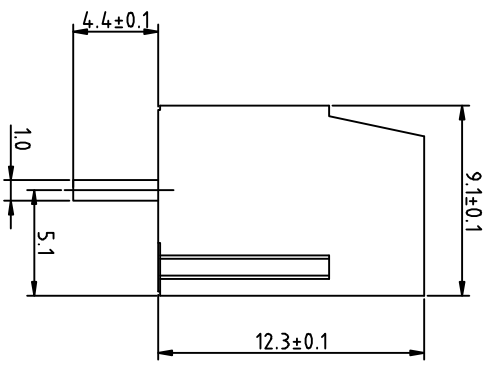
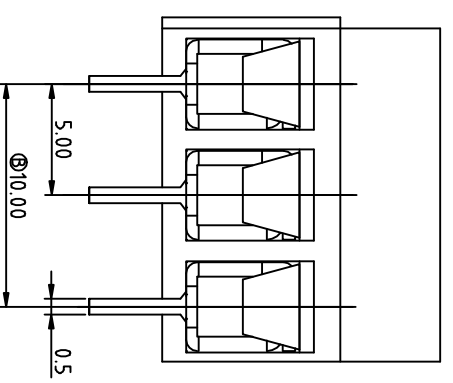
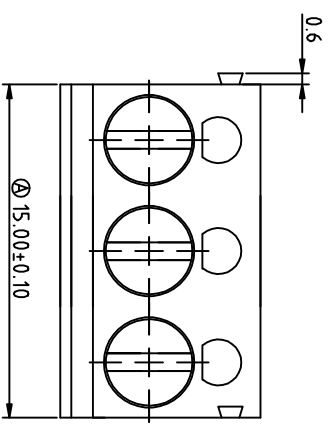



| SIGN | DATE | DESCRIPTION | APPROVER |
|------|------|-------------|----------|
| △    |      |             |          |
| △    |      |             |          |
| △    |      |             |          |




- Technical Data:
- Material:
- Contact(metal housing): Brass (CuZn)
  - Terminal screw: Steel galvanized and chromate or Nickel plated or Tin plated(standard)(optian)
  - Wire guard: Stainless steel
  - Surface of solder tail: tin plated
  - Insulator body(housing): Polyamide(Glass filled)(UL94V-0)
- Electrical
- Voltage rating: 250VAC
  - Current rating: 16 Amps/way max
  - Contact resistance: 20mΩ(max)
  - Insulation resistance: 5000MΩ/1000V
  - Withstanding Voltage: 2000VAC(1min) Test time=60sec/1pcs
  - Wire range: 14-22AWG
- Mechanical:
- Torque: 4kg-cm/M2.5
  - Operating temperature: -33°C to +120°C
  - Soldering ability: 95%coveragelmin)
  - Test temperature= 230°C±10°C
  - Test time= 4sec±0.5sec
- Soldering reliability:  
 Test temperature= 250°C±10°C  
 5 seconds max
- Safety approval data: 

| POLE | 3P         |      |
|------|------------|------|
| A    | NX5.0      | 15.0 |
| B    | (N-1) X5.0 | 10.0 |



**杰科电子有限公司**  
 JIE KE ELECTRONICS CO., LTD.

|                                                                                    |            |                        |          |
|------------------------------------------------------------------------------------|------------|------------------------|----------|
| PART NAME: JK305-500 3P                                                            |            | TITLE:                 |          |
| PART NO.:                                                                          |            | DWG NAME: TA0002B1D.WG |          |
| APPROVED BY                                                                        | CHECKED BY | DESIGNED BY            | DRAWN BY |
|  |            | 孙学丰                    |          |
| UNITS: mm                                                                          |            | Tolerance              |          |
| SCALE: 4/1                                                                         |            | x ±0.50                |          |
| REVISION: B1                                                                       |            | x.xx ±0.30             |          |
|                                                                                    |            | x.xxx ±0.10            |          |
|                                                                                    |            | x.x ±1°                |          |